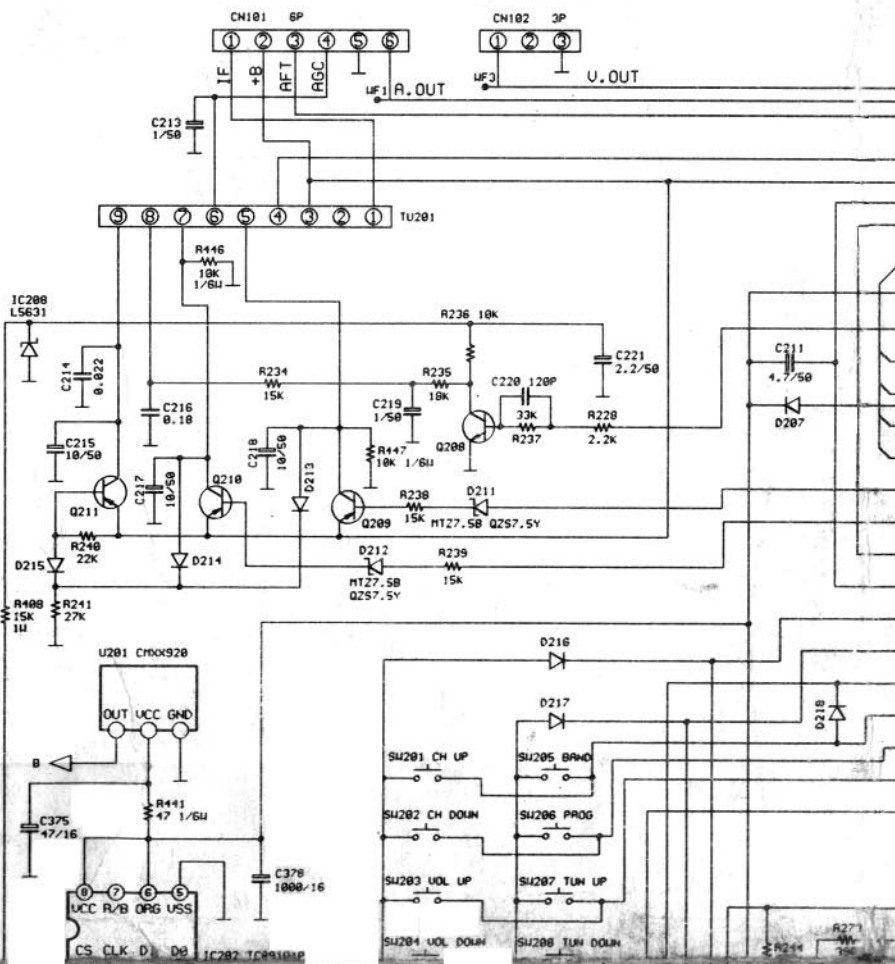
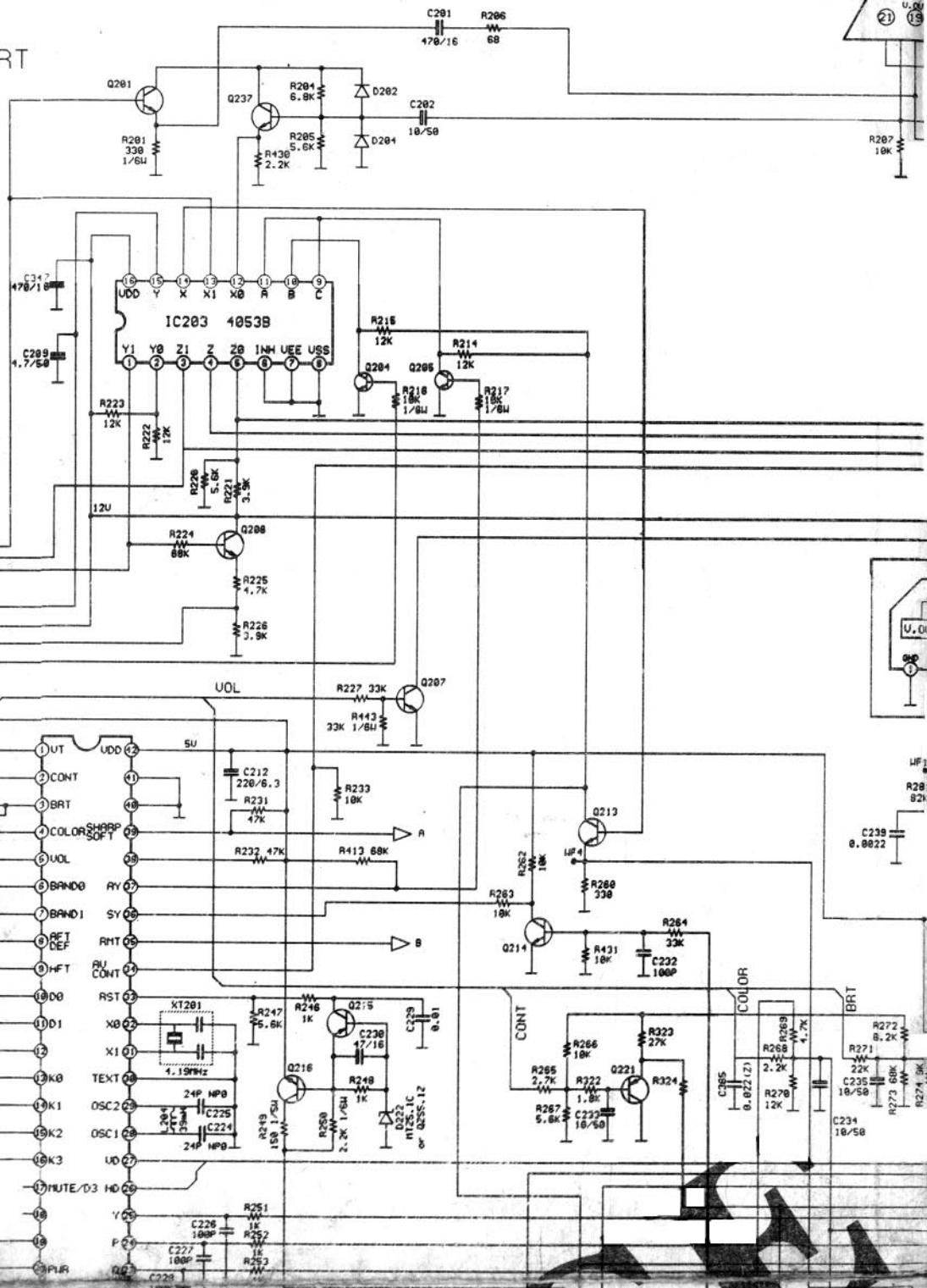


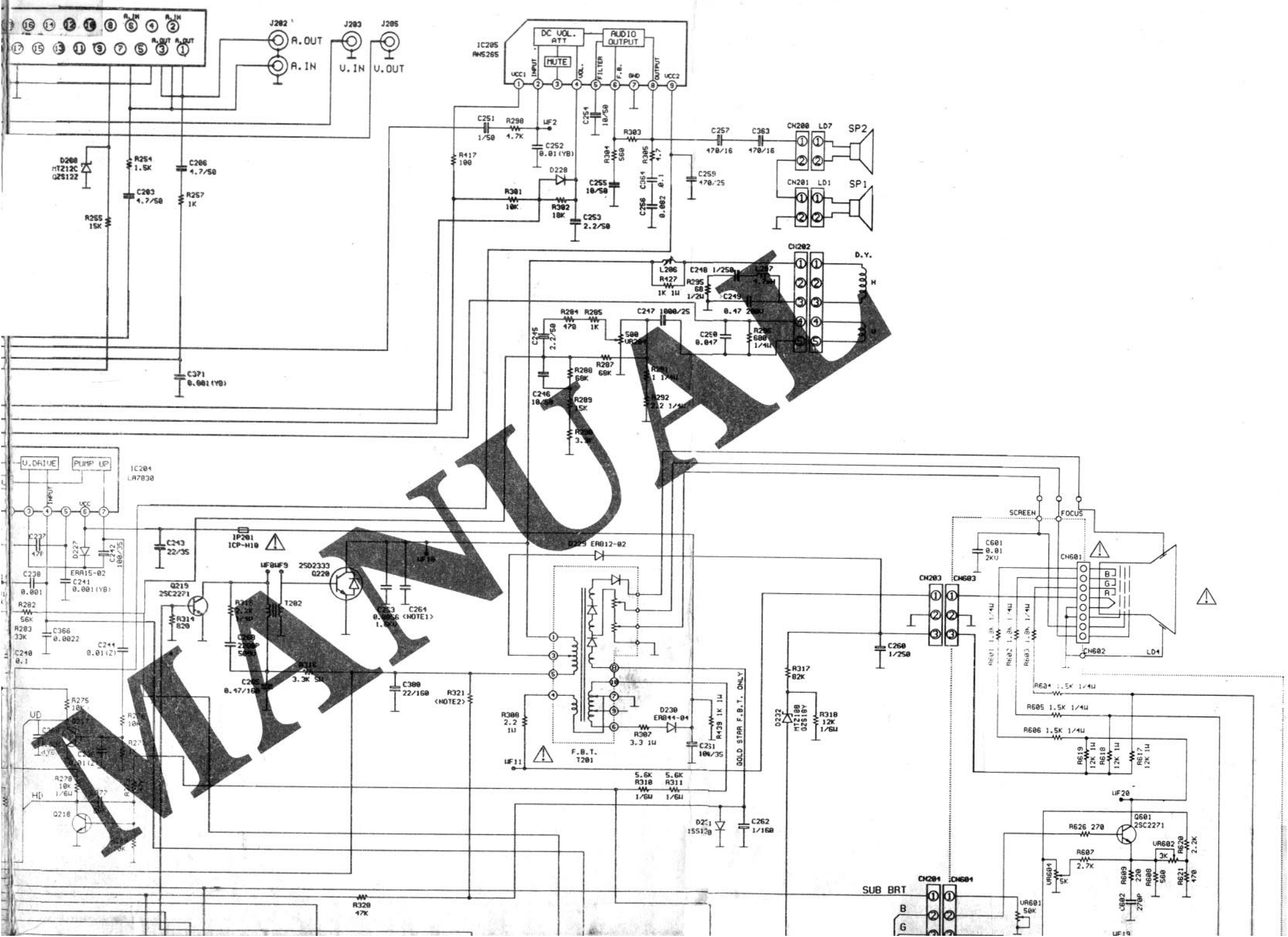
<NOTE1>  
 VALUE OF C264 IS DIFFERENT FROM KINDS OF CRT  
 AND FBT.

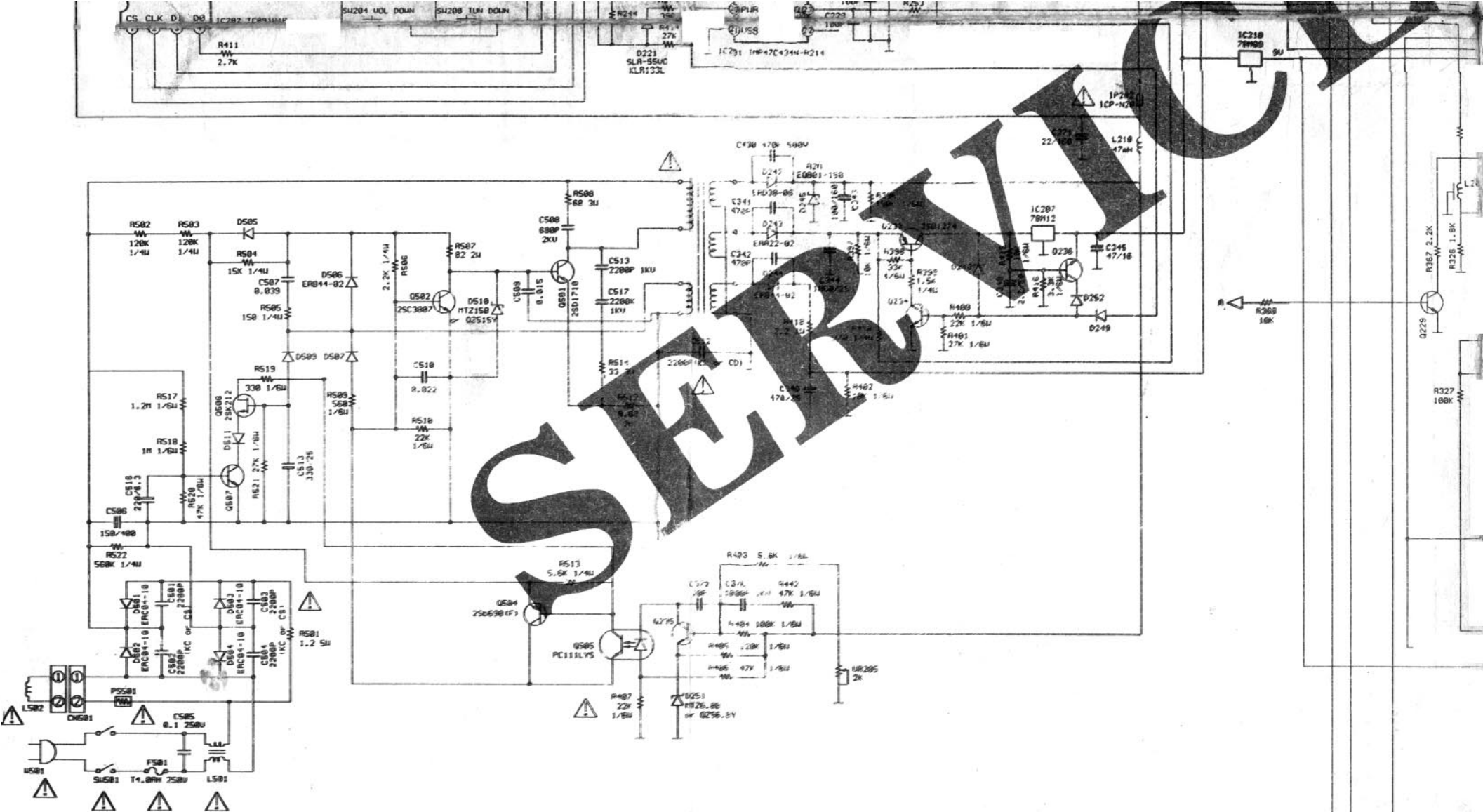
	CRT	510UFB22 -TC52 (DPY)	A48KMX12XX44	51GGB95X-TC01
FBT				
FCM-20B031	0.0018	1.6KV	0.001	1.6KV
154-177T	0.0033	1.6KV	0.0018	1.6KV
			0.0022	1.6KV

<NOTE2>  
 VALUE OF R321 IS DIFFERENT KIND OF CRT.

CRT	510UFB22 -TC52 (DPY)	A48KMX12XX44	51GGB95X-TC01
R321	180K 1/6W	150K 1/6W	180K 1/6W

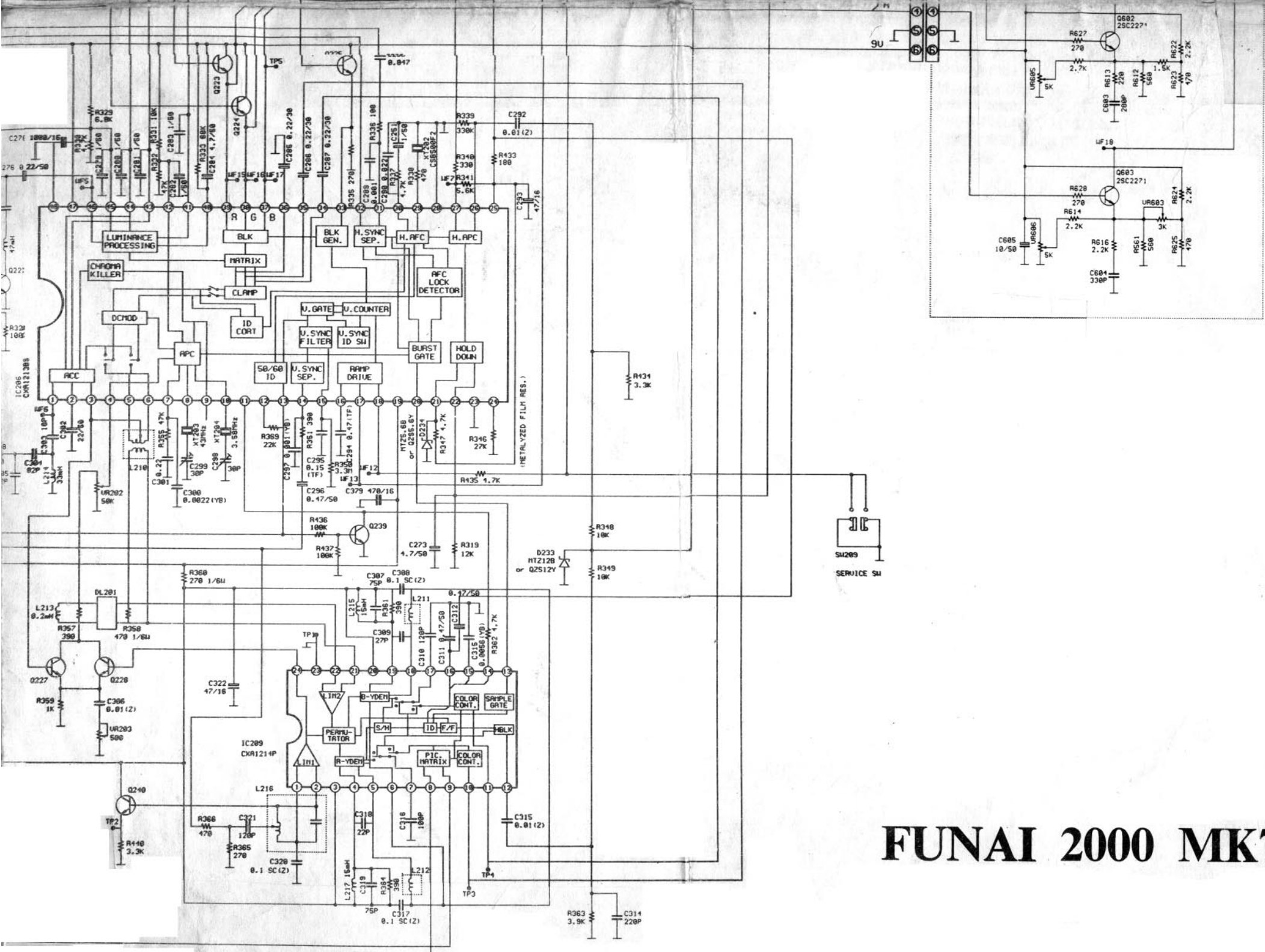






< NOTE 3 >

1. NO INDICATED NPN TYPE TRANSISTORS ARE USED KTC3199 (GR), 2SC1740S (R,S), 2SC3331 (T,U), 2SC1685 (R,S) OR 2SC1815 (GR).
2. NO INDICATED PNP TYPE TRANSISTORS ARE USED KTA1267 (GR), 2SA933S (R,S), 2SA1318 (T,U), 2SA564 (R,S) OR 2SA1015 (GR).



# FUNAI 2000 MK7